

# 3-Dose Compact Vacuum Cement Mixing System



# Getting the Right Mix

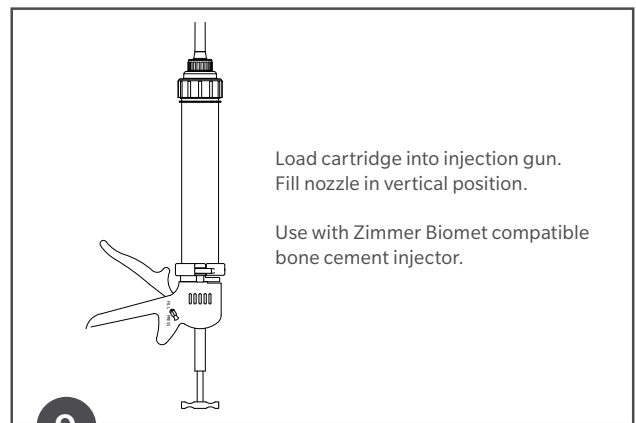
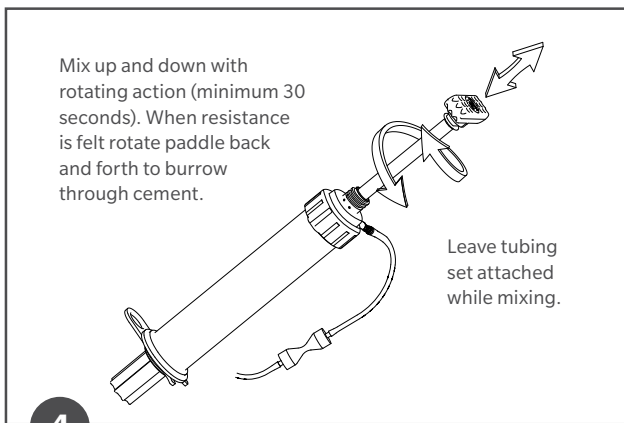
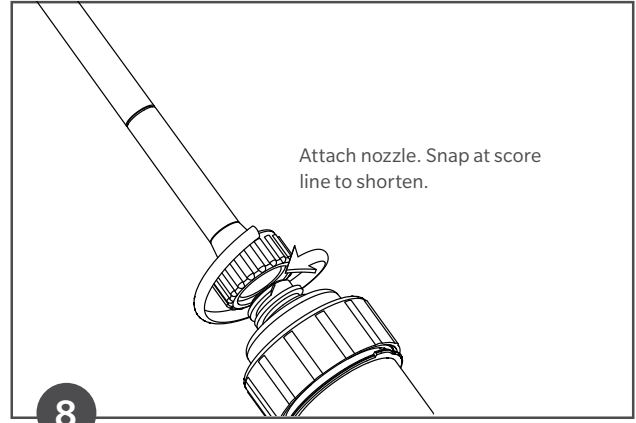
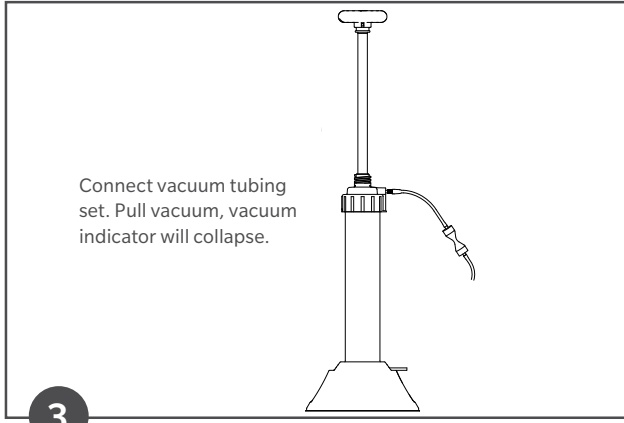
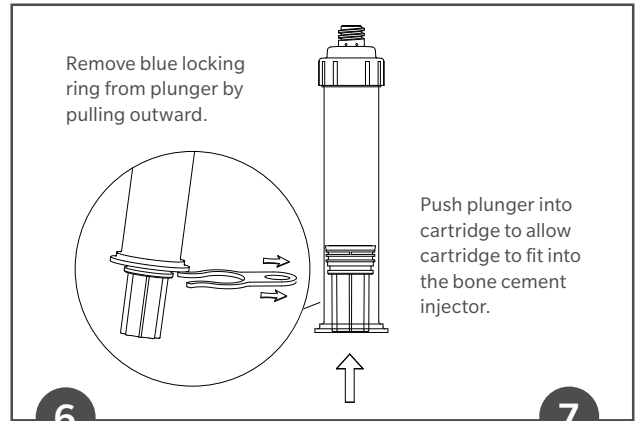
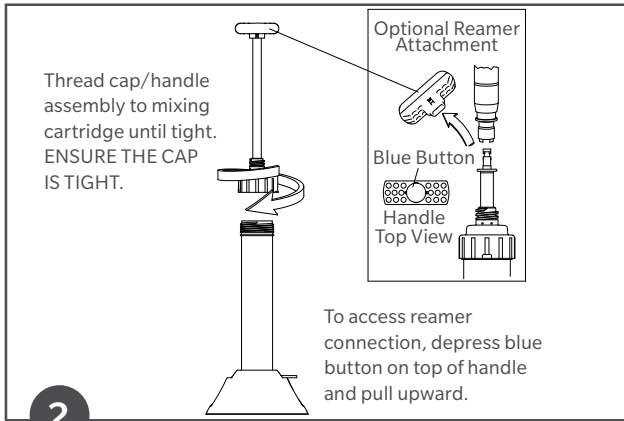
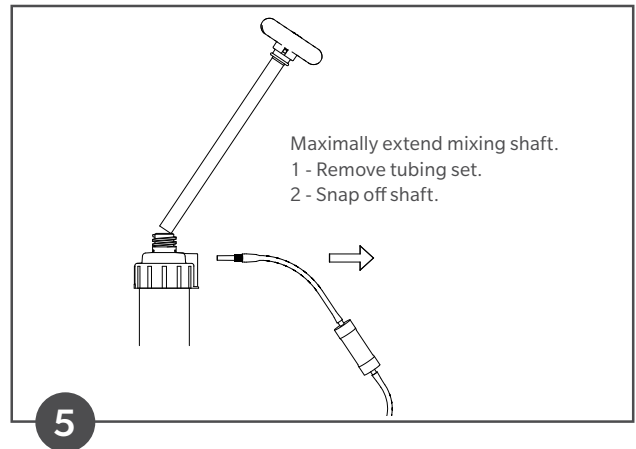
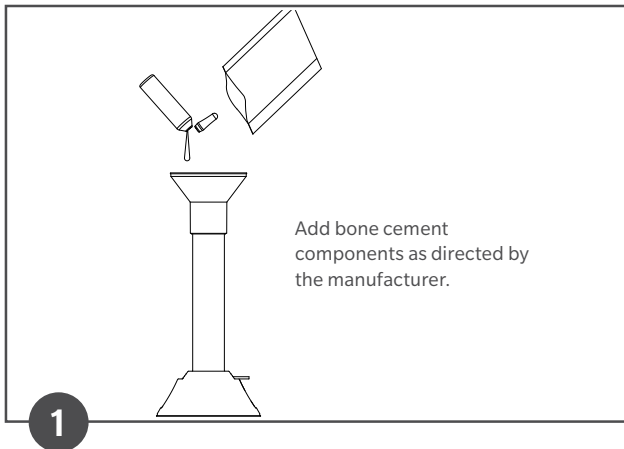
The Zimmer Biomet 3-Dose Compact Vacuum Cement Mixing System is a disposable, sterile device that is optimally packaged for efficient storage and minimal waste.

The system has been designed for quick and easy mixing of up to three doses (3 x 40g) of bone cement. Its self-contained mixing element thoroughly mixes bone cement in all viscosity ranges and eliminates the mess and inconvenience of transferring cement prior to injection. The wide-mouthed funnel makes loading of ingredients a clean and simple process. The system comes with a vacuum pump adapter which allows for connection to various vacuum sources and the vacuum tube is equipped with a visual vacuum indicator. Cements can be mixed manually or choose to power mix by simply removing the handle and using the machined metal reamer adapter.

The cartridge easily loads into the Power-Flo® Bone Cement Injector and, when needed, a wide selection of specialty cement nozzles is available.


## Key product features

- Quick and easy setup – ideal for both primary and revision procedures
- Holds up to three doses (3 x 40g) of bone cement
- Optional machined metal reamer attachment for power mixing
- Efficiently mixes low to high viscosity cements
- Wide-mouth funnel helps reduce mess, while the stable base minimizes tipping and spills
- Vacuum pump adapter provided for connection to various vacuum source
- Vacuum tubing with visual vacuum indicator
- Charcoal filter reduces monomer fumes
- Break-away cement nozzle
- Compatible with the Power-Flo Bone Cement Injector and all Zimmer Biomet specialty cement nozzles




## Ordering Information

### Compact Vacuum Cement Mixing System


Product	Part Number	Description	Units/Case
	00504904501	3 Dose Compact Vacuum Cement Mixing System	1

### Bone Cement






#### Biomet Bone Cement R

Product	Part Number	Description	Units/Case
	110035368	Biomet Bone Cement R 1X40	1

#### Refobacin® Bone Cement R

Product	Part Number	Description	Units/Case
	110034355	Refobacin® Bone Cement R 1X40 (With Gentamicin)	1

### Accessories

Product	Part Number	Description	Size	Units/Case
	00506900800	Power-Flo Bone Cement Injector	–	1
	00504908600	Zimmer® Vacuum Foot Pump II-Air Connector (Compatible with all Zimmer Biomet vacuum systems)	–	1
	00506904500	90 Degree Breakaway Nozzle	–	10
	00506905400	Miller™ Bone Cement Injector Flex Nozzle	12 x 0.25 in	10
	00506905600	Miller Bone Cement Injector Flex Nozzle	16 x 0.38 in	10
	00506907100	Miller Femoral Canal Pressurizer	Small	10
	00506905100	Miller Femoral Canal Pressurizer	Medium	10
	00506908100	Miller Femoral Canal Pressurizer	Large	10

All content herein is protected by copyright, trademarks and other intellectual property rights, as applicable, owned by or licensed to Zimmer Biomet or its affiliates unless otherwise indicated and must not be redistributed, duplicated or disclosed without the express written consent of Zimmer Biomet. Refobacin® is a registered trademark licensed from Merck KGaA.

This material is intended for health care professionals. Distribution to any other recipient is prohibited.

For product information, including indications, contraindications, warnings, precautions, potential adverse effects, and patient counseling information, see the package insert and [www.zimmerbiomet.com](http://www.zimmerbiomet.com).



**Legal Manufacturer**  
Biomet France SARL  
Plateau de Lautagne  
26000 Valance  
France

Zimmer Inc  
1800 West Centre Street  
Warsaw, Indiana 46580  
USA