

# N-Force Fixation System®

Product Brochure



**The first augmented fixation system, integrating fenestrated screws and a Bone Substitute Material (BSM) into a single construct to provide metaphyseal bone void fill and structural support to the screw.**

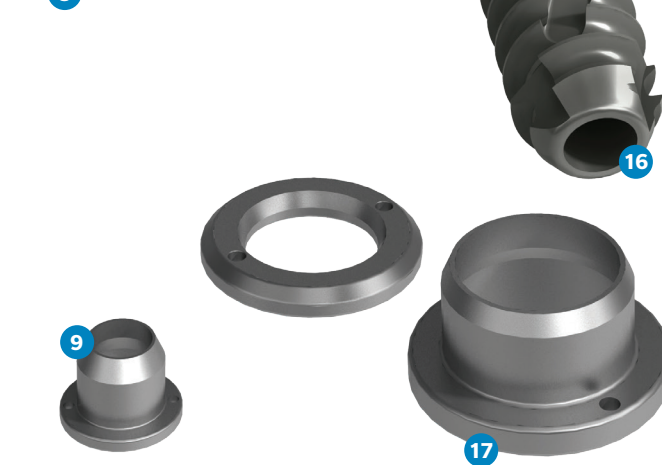
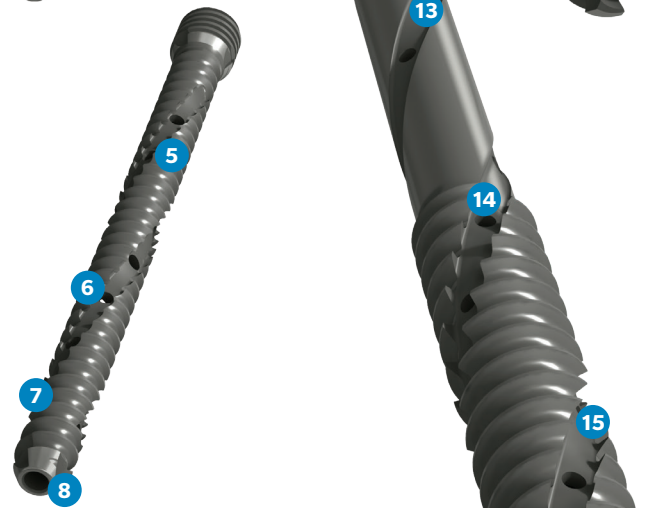
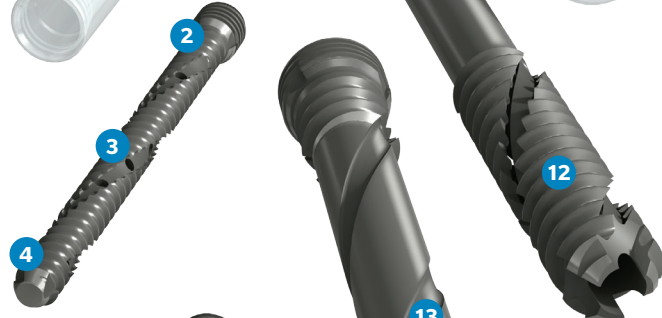
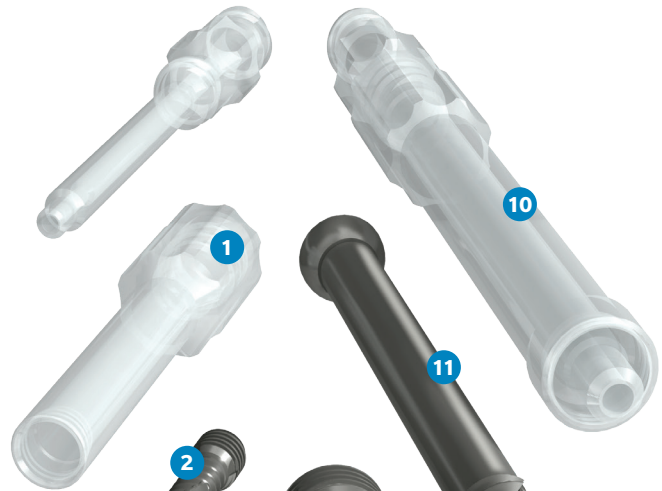
The N-Force Fixation System is comprised of fenestrated screws, washers and N-Force Blue Bone Substitute Material (BSM). N-Force Blue is injected directly into the fenestrated screw with the use of a sheath to help minimize BSM leakage into the soft tissues.

Not only do the N-Force screws provide fixation, the screws act like a delivery system for filling a bone void. Because defects are filled after reduction, the screw can be placed precisely in the desired location.

N-Force Blue is the only FDA cleared BSM that is validated for use with the N-Force Fixation System. Zimmer Biomet recommends that N-Force Blue be used with the N-Force Fixation System.

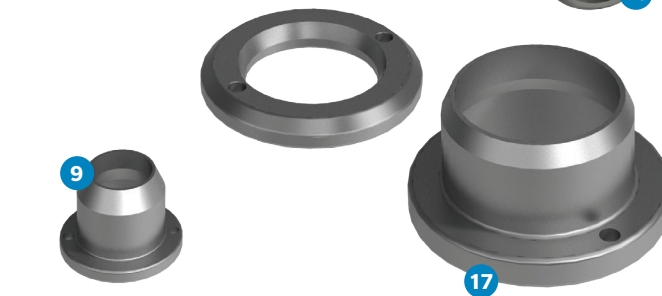
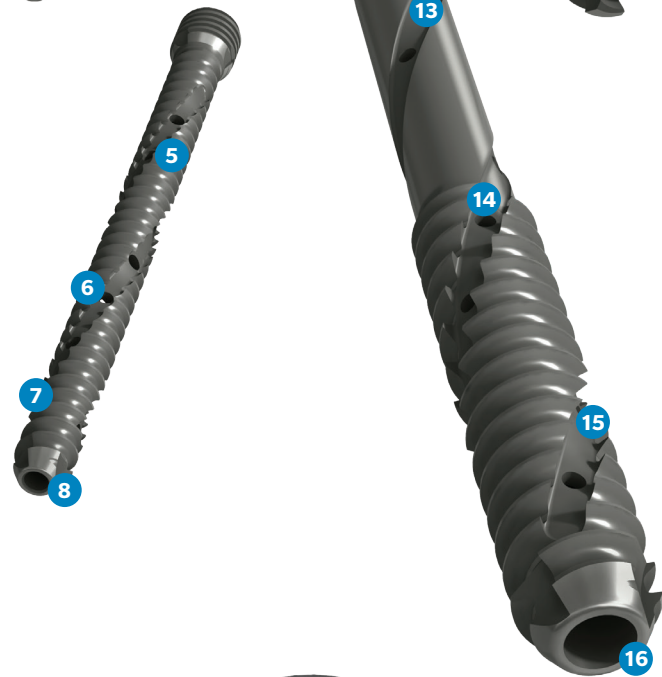
## 4.0 mm

- 1 Proprietary Injection Sheath
- 2 Headless Screw Design
- 3 Reverse Cutting Flutes
- 4 Partially Cannulated Design
- 5 Helical Groove
- 6 Titanium Alloy (Ti-6Al-4V)
- 7 Self-Tapping
- 8 Fully Cannulated Design
- 9 4.0 mm Inset Washer



## 7.3 mm

- 10 Proprietary Injection Sheath
- 11 Non-Fenestrated Design
- 12 Titanium Alloy (Ti-6Al-4V)
- 13 Fenestrated Design
- 14 Reverse Cutting Flutes
- 15 Helical Groove
- 16 Self-Tapping
- 17 7.3 mm Standard & Inset Washers



## INDICATIONS

The N-Force Fixation System is intended for the fixation of bone fractures and bone reconstructions. When used for these indications, the N-Force Fixation System can also be used to deliver injectable bone substitute materials to a surgical site.

This material is intended for US health care professionals and the Zimmer Biomet sales force only. Distribution to any other recipient is prohibited. All content herein is protected by copyright, trademarks and other intellectual property rights owned by or licensed to Zimmer Biomet or its affiliates unless otherwise indicated. This material must not be redistributed, duplicated or disclosed, in whole or in part, without the express written consent of Zimmer Biomet.

For complete product information, including indications, contraindications, warnings, precautions, and potential adverse effects, see the package insert, [www.zimmerbiomet.com](http://www.zimmerbiomet.com) or contact your local Zimmer Biomet representative.

Not for distribution in France.

N-Force Fixation System® is a trademark of InnoVision, Inc.

©2016 Zimmer Biomet



**ZIMMER BIOMET**

Your progress. Our promise.™

0474.1-US-en-REV0216

**Legal Manufacturer of N-Force Blue**

ETEX Corporation,  
A Zimmer Biomet Company  
38 Sidney Street  
Cambridge, MA 02139  
U.S.A.

[www.zimmerbiomet.com](http://www.zimmerbiomet.com)

**Legal Manufacturer  
of N-Force Fixation System**

InnoVision, Inc.  
1975 Nonconnah Blvd.  
Memphis, TN 38132  
U.S.A.

[www.innovisionus.com](http://www.innovisionus.com)