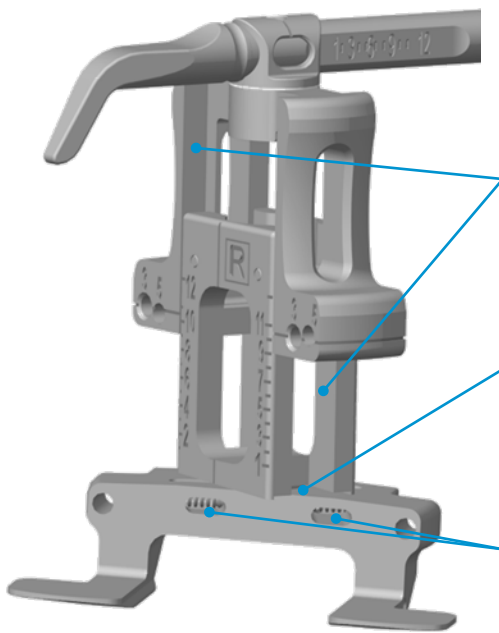




# Persona™ Anterior Referencing Sizer 42-5099-088-00

## Cleaning Instructions

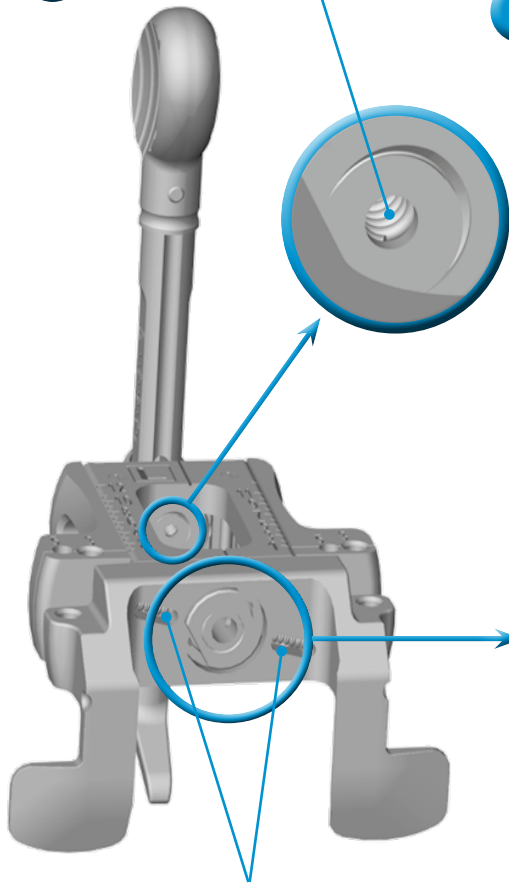


**1** Extend sizer and clean along sliding surfaces

**2** Rotate feet and clean along interfaces

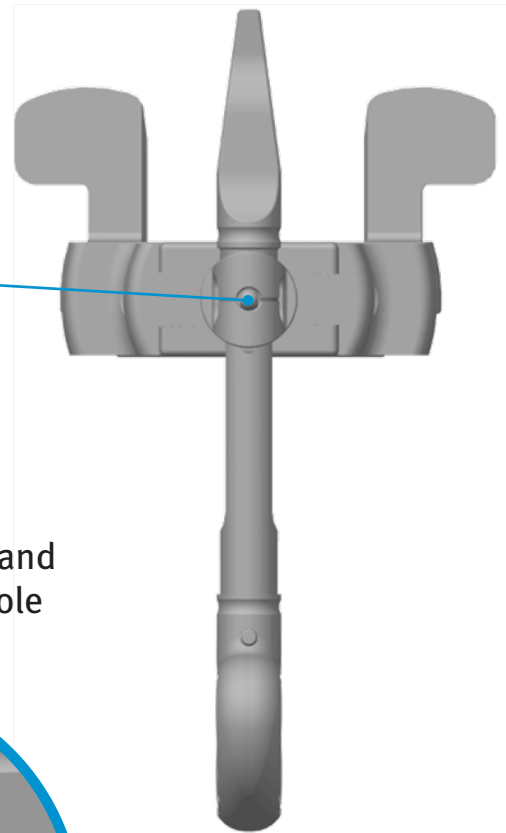
**3** Flush springs

**4** Flush spring

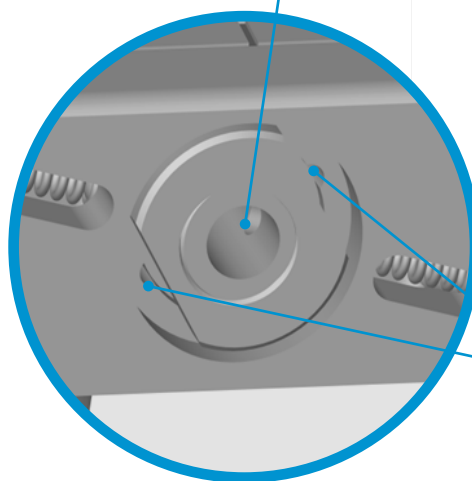


**8** Flush springs

**5** Pull stylus back and flush ball detent



**6** Flush thru hole and angled cross hole



**7** Flush scallops

97-5026-068-00 1111-K14 Printed in USA ©2012 Zimmer, Inc.